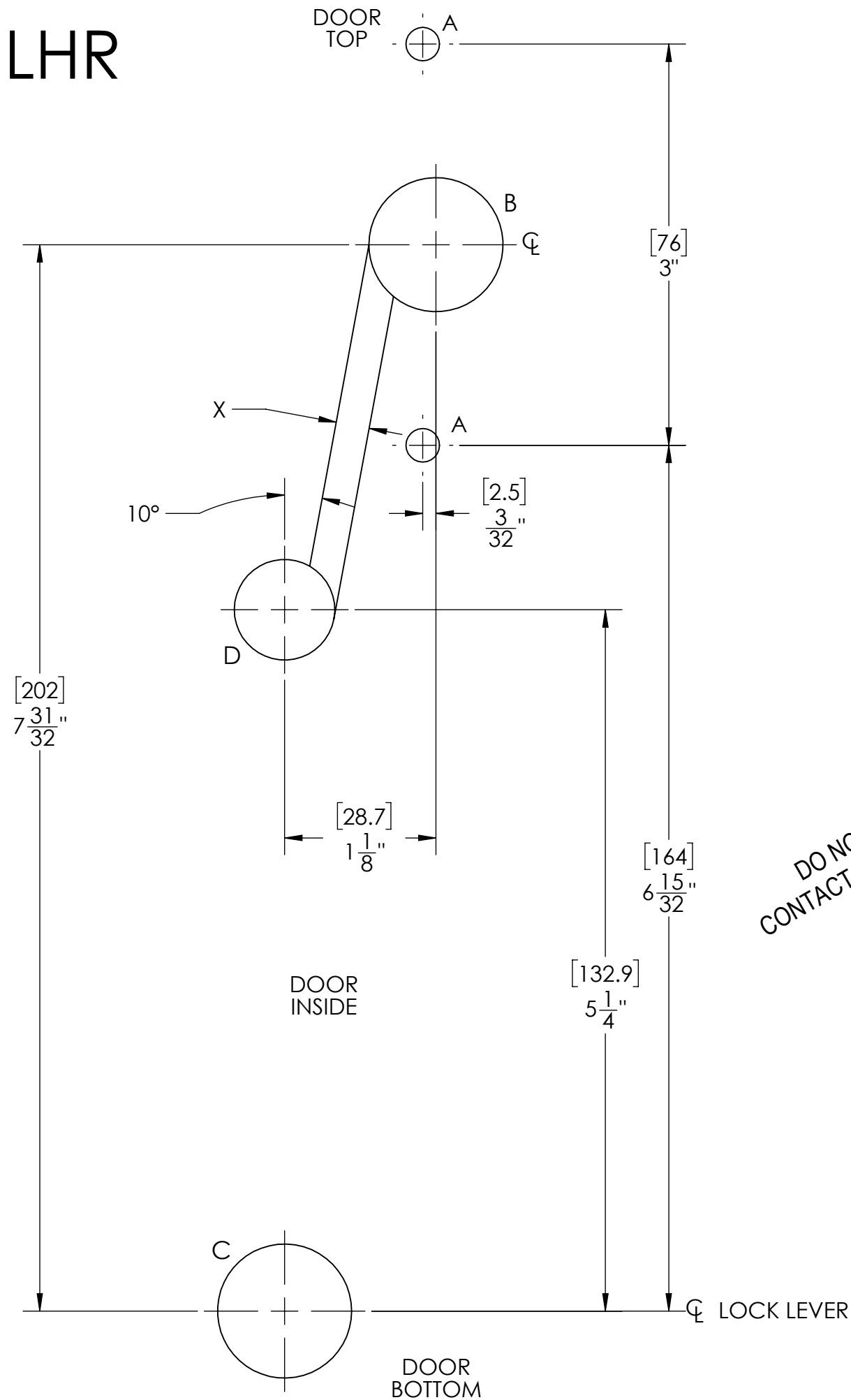


LHR

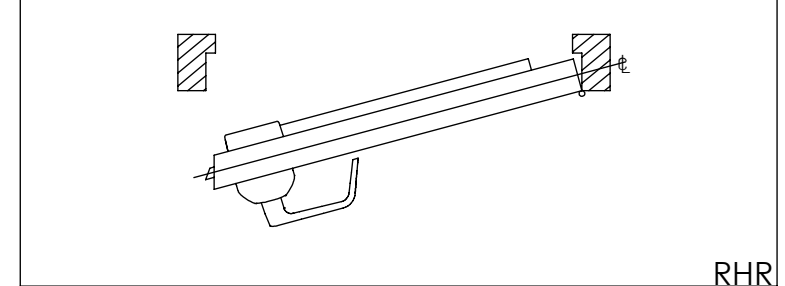
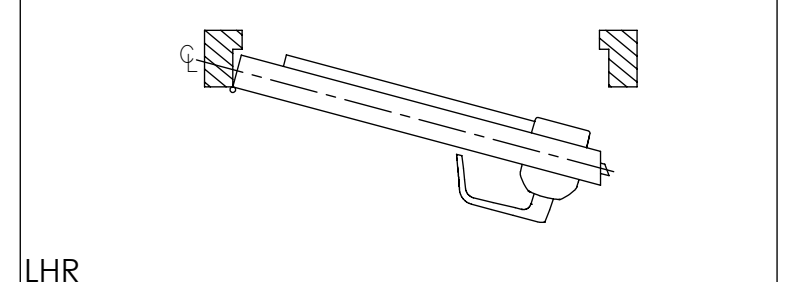


DO NOT REPRODUCE
CONTACT CUSTOMER SUPPORT
1-800-999-6213

- NOTES:
1. THESE HOLES CORRESPOND TO HOLE PATTERN OF LOCK MODELS WITH MESSENGER OR BLUETOOTH. FOR COMPLETE HOLE PATTERN REFER TO SPECIFIC MODEL DRILLING TEMPLATE.
 2. DIMENSIONS ARE SYMETRICAL ABOUT CL UNLESS OTHERWISE NOTED.
 3. GROOVE TO DO ONLY ON SOLID DOORS. TO PASS WIRES INSIDE THE DOOR FOR HOLLOW DOORS
 4. ALL DIMS ARE IN INCHES/[mm].

HOLE ID	DIM INCH/(mm)	▽ INCH/(mm)	COMMENTS
A	Ø 1/4 [6.4]	▽ 1/4 [6.4]	
B	Ø 1 [25.4]	▽ 3/4 [19.05]	
C	CL LEVER TO BE USED TO LOCATE TEMPLATE INFO AVAILABLE ON CORRESPONDING DT		
D	Ø 3/4 [19.05]	*	
X	1/4 [6.4]	▽ 1/4 [6.4]	SEE NOTE #3

* UNLESS OTHERWISE NOTED, DRILL HALF DOOR THICKNESS ON BOTH SIDES.

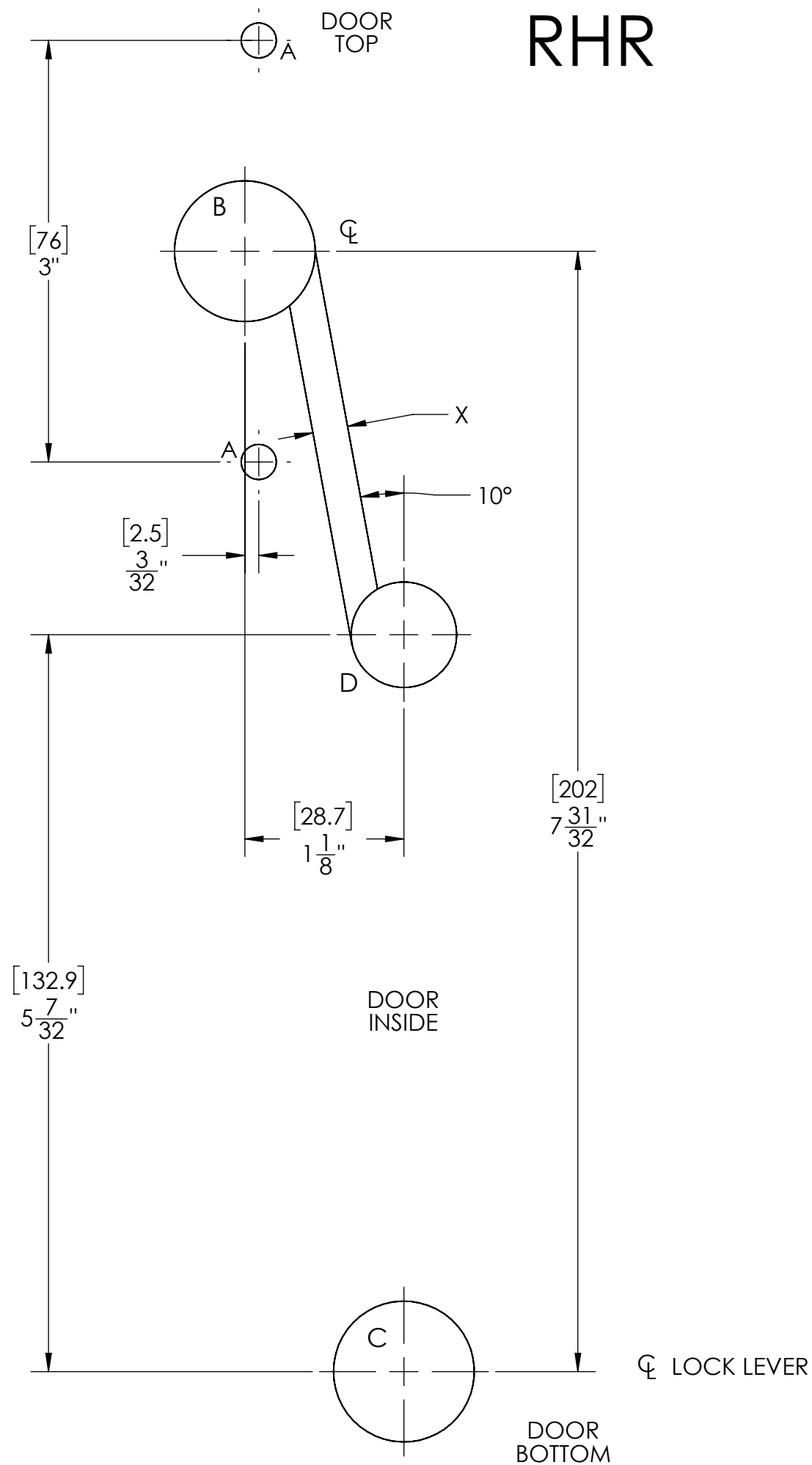


630 & 79E, RT, RT-Plus,
DRILLING TEMPLATE
EXIT DEVICE
SURFACE MOUNT VERTICAL RODS WITH
MESSENGER AND/OR BLUETOOTH



www.kabalodgingsupport.com

SHEET 1 OF 2	DATE 2019-08-07	UNE VERSION FRANCAISE DE CE DOCUMENT EST DISPONIBLE SUR DEMANDE.	
	ECN 17396	DT-515150	REV-3



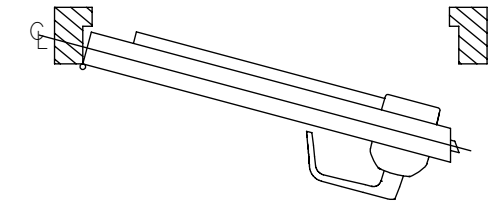
RHR

DO NOT REPRODUCE
CONTACT CUSTOMER SUPPORT
1-800-999-6213

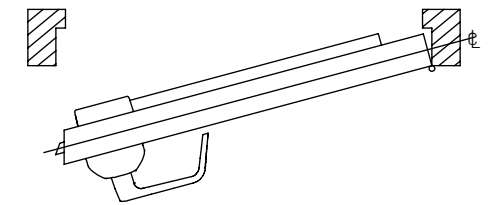
- NOTES:
1. THESE HOLES CORRESPOND TO HOLE PATTERN OF LOCK MODELS WITH MESSENGER OR BLUETOOTH. FOR COMPLETE HOLE PATTERN REFER TO SPECIFIC MODEL DRILLING TEMPLATE.
 2. DIMENSIONS ARE SYMETRICAL ABOUT C UNLESS OTHERWISE NOTED.
 3. GROOVE TO DO ONLY ON SOLID DOORS. TO PASS WIRES INSIDE THE DOOR FOR HOLLOW DOORS
 4. ALL DIMS ARE IN INCHES/[mm].

HOLE ID	DIM INCH/(mm)	∇ INCH/(mm)	COMMENTS
A	∅ 1/4 [6.4]	∇ 1/4 [6.4]	
B	∅ 1 [25.4]	∇ 3/4 [19.05]	
C	C LEVER TO BE USED TO LOCATE TEMPLATE INFO AVAILABLE ON CORRESPONDING DT		
D	∅ 3/4 [19.05]	*	
X	1/4 [6.4]	∇ 1/4 [6.4]	SEE NOTE #3

* UNLESS OTHERWISE NOTED, DRILL HALF DOOR THICKNESS ON BOTH SIDES.



LHR



RHR

630 & 79E, RT, RT-Plus,
DRILLING TEMPLATE
EXIT DEVICE
SURFACE MOUNT VERTICAL RODS WITH
MESSENGER AND/OR BLUETOOTH

dormakaba

www.kabalodgingsupport.com

SHEET 2 OF 2	DATE 2019-08-07	UNE VERSION FRANCAISE DE CE DOCUMENT EST DISPONIBLE SUR DEMANDE.	
	ECN 17396	DT-515150	REV-3